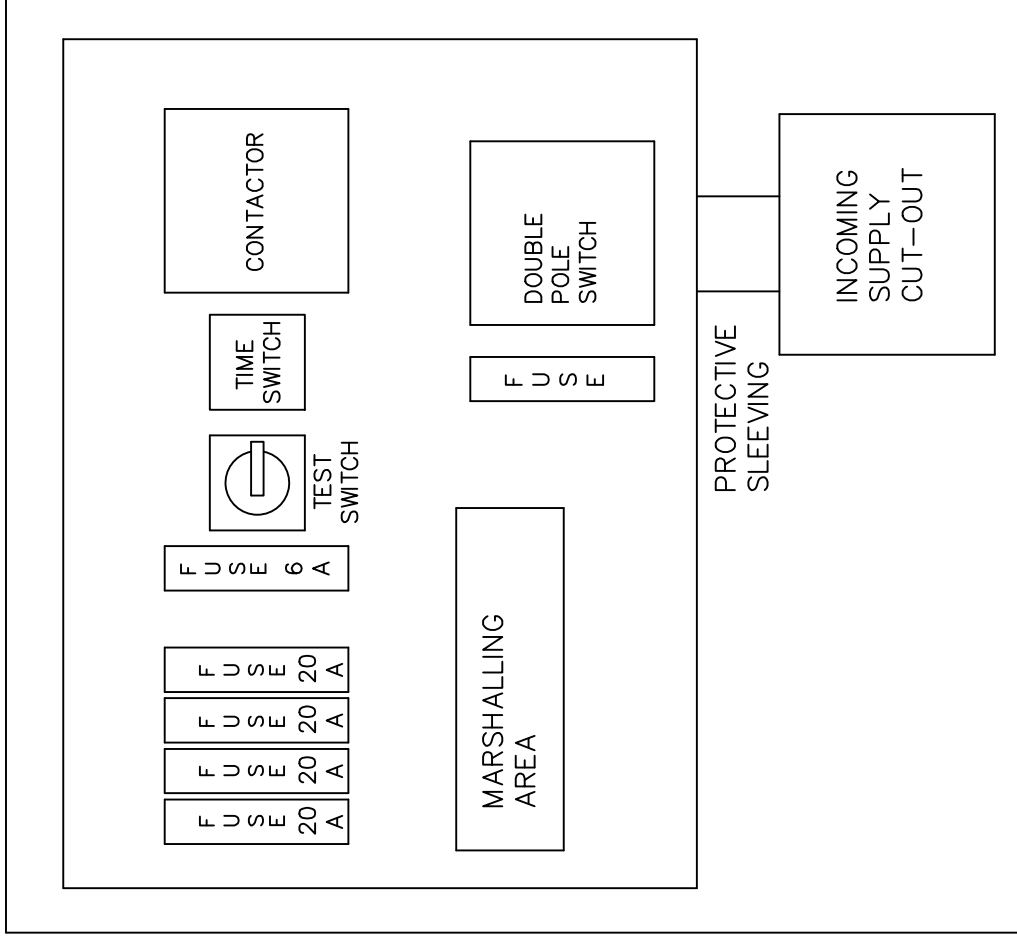


LTG001



SKETCH LAYOUT OF CONTROL CABINET

All Dimensions in millimetres unless otherwise stated

REV	DETAILS	BY	DATE
FEEDER PILLAR DETAIL			
Date : March 2017		Drawn by : R. Hoggan	
Scale : N.T.S.		Checked by : K. Slight	
Drg. No. LTG001			