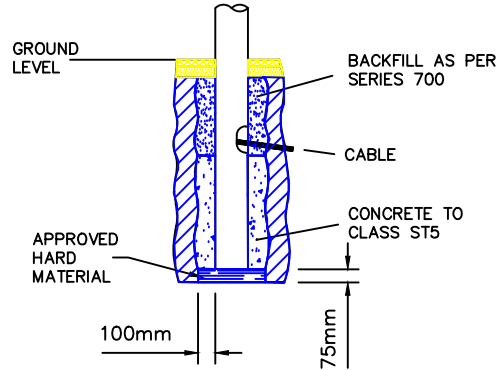
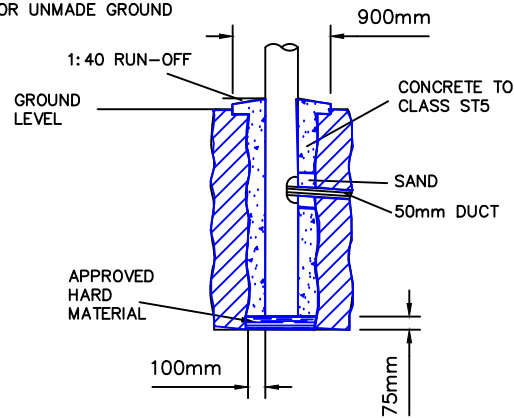


PAVED, FLEXIBLE, CONCRETE SURFACE



SOFT OR UNMADE GROUND



All Dimensions in millimetres unless otherwise stated

| REV | DETAILS | BY | DATE |
|-----|---------|----|------|
|     |         |    |      |

LIGHTING STANDARD DRAWING

STEEL COLUMN FOUNDATION DETAIL

Date : March 2017  
Scale : N.T.S.

Drawn by : R. Hoggen  
Checked by : K. Slight

Drg. No. LTG005