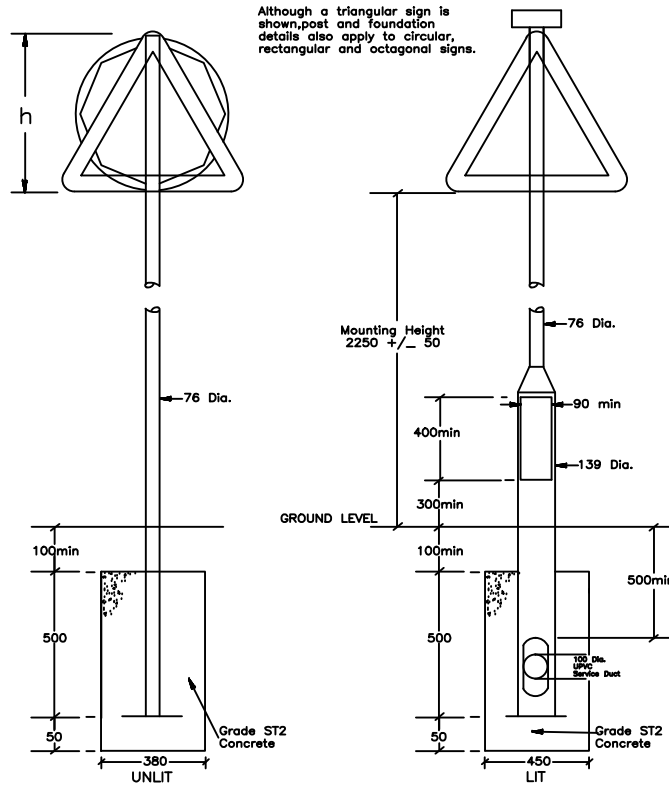


Midlothian Council
Standards for Developments Roads

LTG010

Although a triangular sign is shown, post and foundation details also apply to circular, rectangular and octagonal signs.



NOTES:-

1. All dimensions in millimetres unless otherwise shown
2. Reference to Circular signs also include the Octagonal sign to Da.601.1 of the Traffic Signs Regulations and General Directions 1981.
3. Columns to be finished to colour SS4600 00405

Rev	Details	By	Date

LIGHTING STANDARD DRAWING

**TYPICAL
SIGN DETAIL (SINGLE)**

Date : March 2017 Drawn by : R. Heggan
Scale : N.T.S. Checked by : K. Slight

Drg. No. LTG010