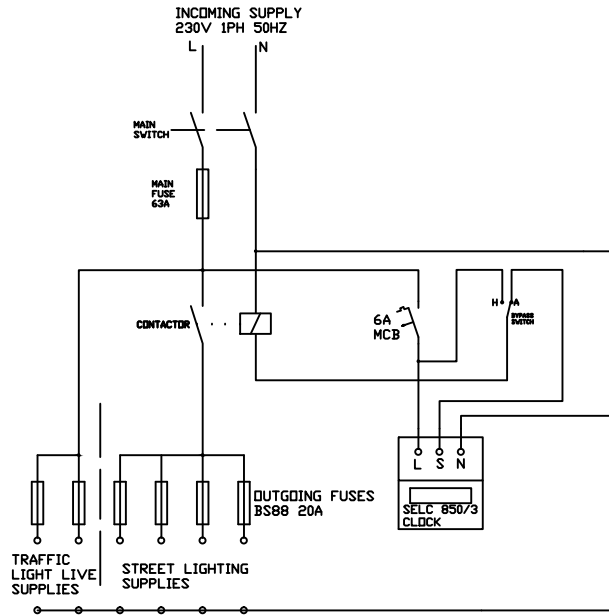


Midlothian Council
Standards for Development Roads

LTG014



ENCLOSURE DIMENSIONS: 500mm(H) 400mm(W) 125mm(D)

LIGHTING STANDARD DRAWING

REV	DETAILS	BY	DATE
	WORKING DIAGRAM FOR CONTROL PILLAR FOR TRAFFIC SIGNALS		
Date:- March 2017	Drawn by:- R. Hoggen		
Scale:- NTS	Checked by:- K. Slight		
Drg No. LTG014			