

NOTES

All dimensions in millimetres

Gate to be to BS.3470.
except as otherwise stated below

Gate width - dimension W on drawing
to be 2.4m, 2.7m, 3.0m, 3.3m, 3.6m
or 4.2m or as otherwise scheduled.

Hinges. The top hinge shall have a
double strap not less than 600mm long
x 45mm wide x 6mm thick secured by
3 No. 9mm cupheaded square shank bolt.
The bottom hinge shall have a double
strap not less than 100mm long
x 45mm wide x 6mm thick secured
by 1 No. 9mm cupheaded square
shank bolt.

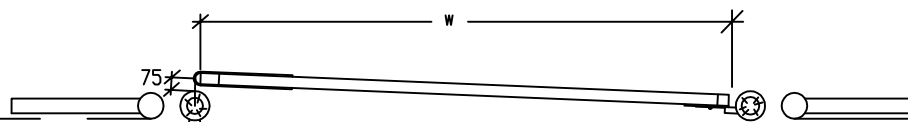
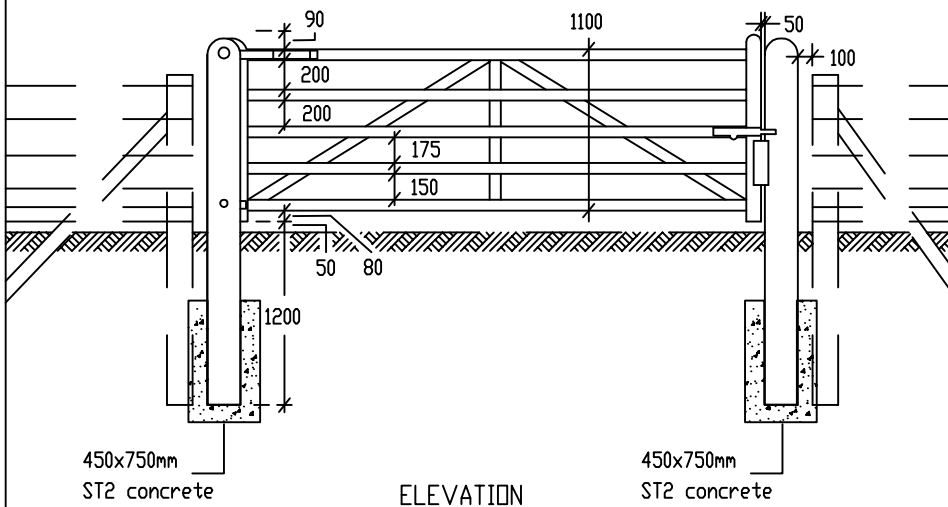
Hinge pins to be 70mm long
x 20mm dia., the shank to be
325mm long, threaded not less
than 125mm.

Bolt fastening to be 19mm dia.
alternatively hook and chain 550mm long

All fittings to be galvanized
complying with BS EN ISO 1461:2009.

Gate stop 300mm deep x 100mm wide
x 50mm thick set into post and fixed
by 2 No. 6mm dia. bolts through post.

Gate to open into field.



DESCRIPTION OF TIMBER MATERIALS	SIZE
Hanging post	200x200x2100 long
Shutting post	175x175x2100 long
Hanging stile	100x75 for 3m gate 125x75 for 3.6m gate
Shutting stile	75x75
Top rail	100x75 for 3m gate 125x75 for 3.6m gate both tapering to 75x75
Under rails	75x25
Braces housed in top rail	75x25

MIDLOTHIAN COUNCIL
Roads services

TIMBER SINGLE FIELD GATE
1.100m HIGH WITH TIMBER POSTS

DATE: Mar 2013

No. 3553