

NOTES

All dimensions in millimetres

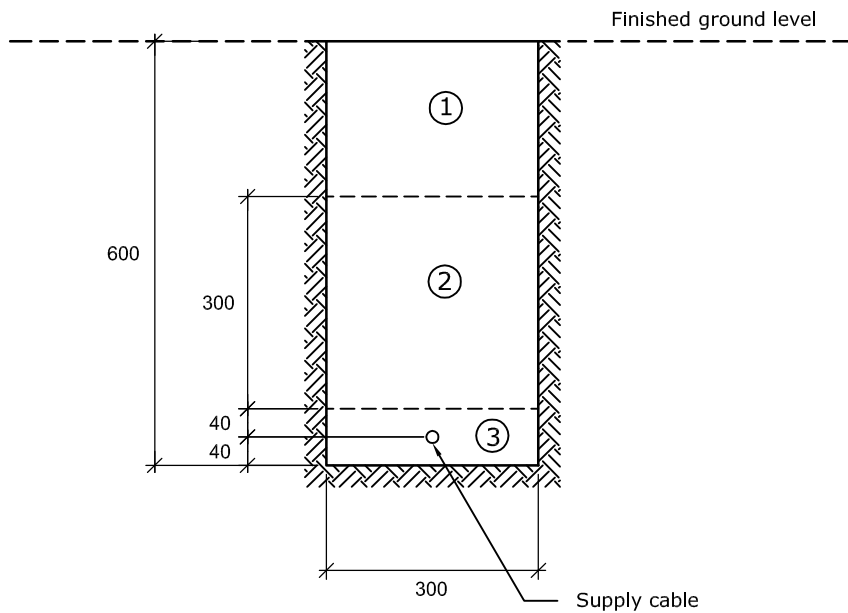
Material ① to be well compacted acceptable material.

Material ② to be selected backfill which shall be recycled aggregate or acceptable material free from stones or lumps of clay > 40mm nominal dia.

Material ③ to be sand complying with BS.1200:1976 Table 1, well compacted.

Cable to be centred in trench.

The cable shall be billed and measured separately from the service trench.



MIDLOTHIAN COUNCIL
Roads Services

SERVICE CABLE TRENCH

DATE: Mar 2013

No. 5148