

NOTES

All dimensions in millimetres.

Tumbling bay junction, drop pipe and bend to be surrounded with 150mm. thick mix ST4 concrete.

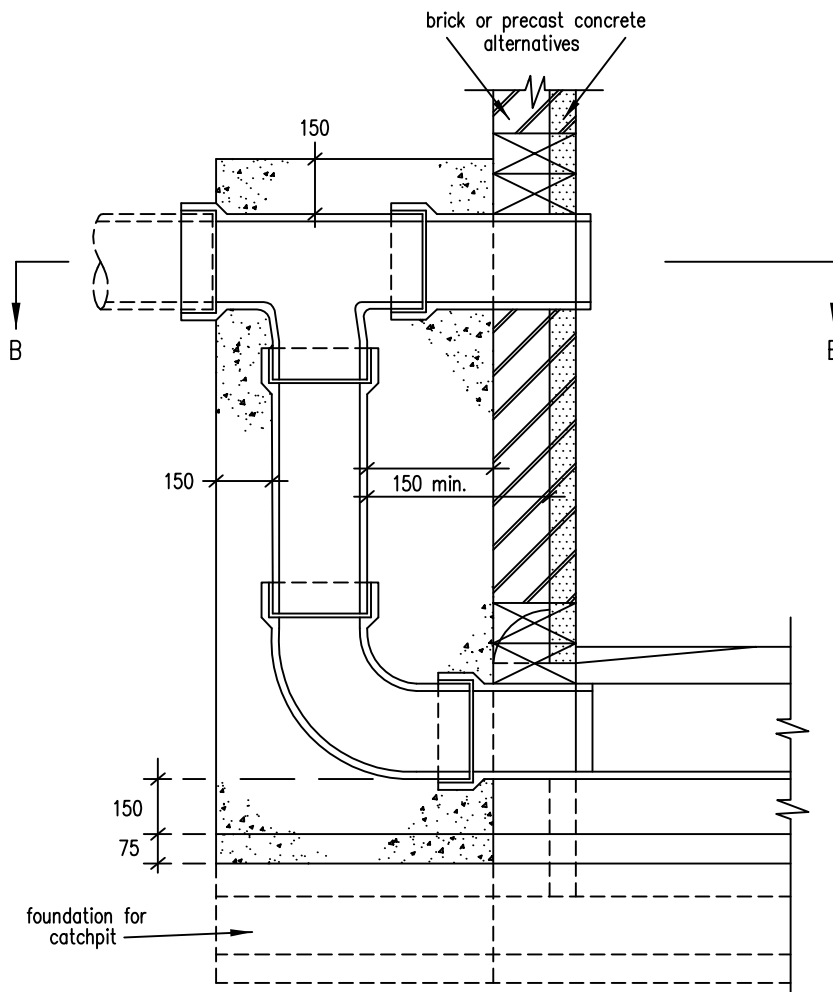
In precast concrete chambers openings in rings shall not be wider at any point perpendicular to the pipe direction, than the outside dia. of the pipe +20mm.

In precast concrete chambers all rings which have 3 or more openings for pipes, or any opening for a pipe whose dia. exceeds 225mm. shall be completely surrounded for the full ring height, with 150mm. thick mix ST4 concrete after the installation of all pipes.

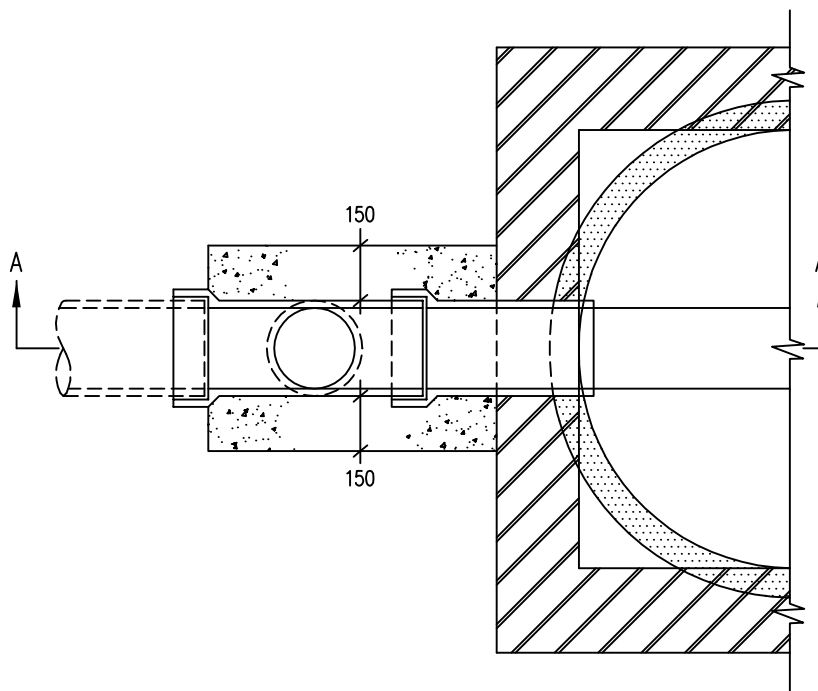
In brick chambers, pipes shall be built into walls flush with the inside face, and with the provision of a single ring brick relieving arch where pipe dia. exceeds 150mm., or a double ring arch where pipe dia. exceeds 225mm.

In precast concrete chambers pipes to be built into chamber rings such that the pipe end is not less than 20mm. nor more than 50mm. from the nearest point on the inside face of the chamber ring.

For all pipes except corrugated, the nearest joint in the pipeline shall form part of an articulated section, and be not more than 150mm. from the face of the concrete surround.



SECTIONAL ELEVATION AA



SECTIONAL PLAN BB