

NOTES

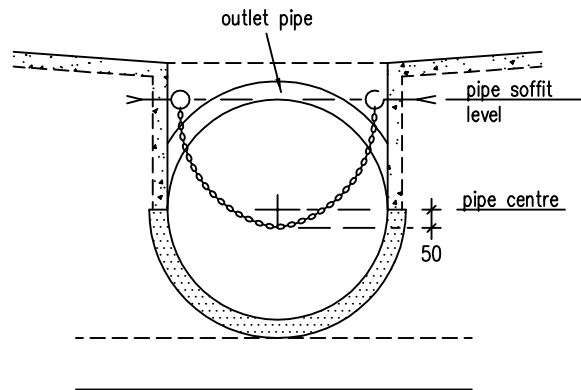
All dimensions in millimetres.

Manholes with an outlet pipe of 600mm. dia. or greater shall be provided with a safety chain for placing across the mouth of the outlet pipe when work is in progress.

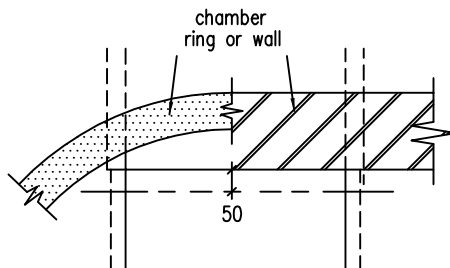
Hook and eye shall be manufactured from steel to BS.970. and galvanised.

Chain shall be 10mm. galvanised mild steel short link to BS.6405:1984.

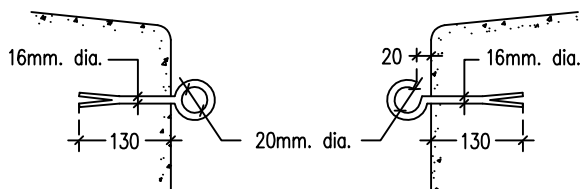
All components shall be hot dip galvanized to BS.EN.ISO.1461:2009



SECTIONAL ELEVATION



SECTIONAL PLAN



DETAIL