

NOTES

All dimensions in millimetres

Seating slab shall be used on precast concrete manholes only.

Concrete for seating slab to be Class C32/40 with 20mm aggregate.

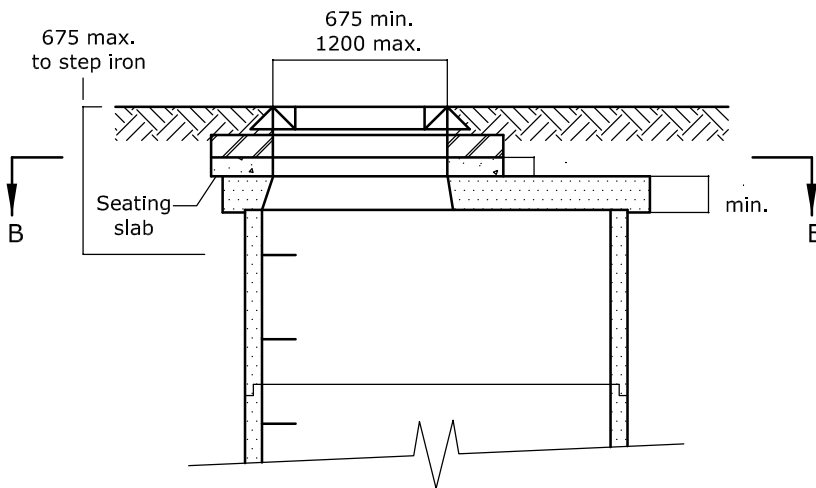
Formwork finish to be Class F4.

Main steel reinforcement to be 12mm dia. mild steel.

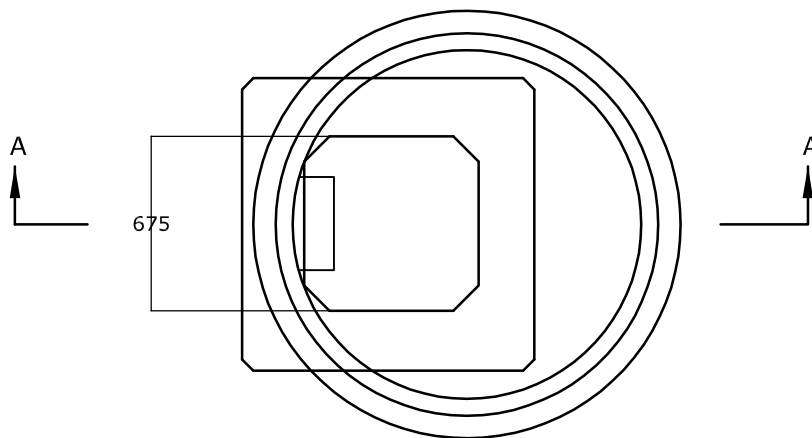
Minimum cover to main steel reinforcement to be 25mm.

3 No. threaded inserts to be cast into slab for lifting.

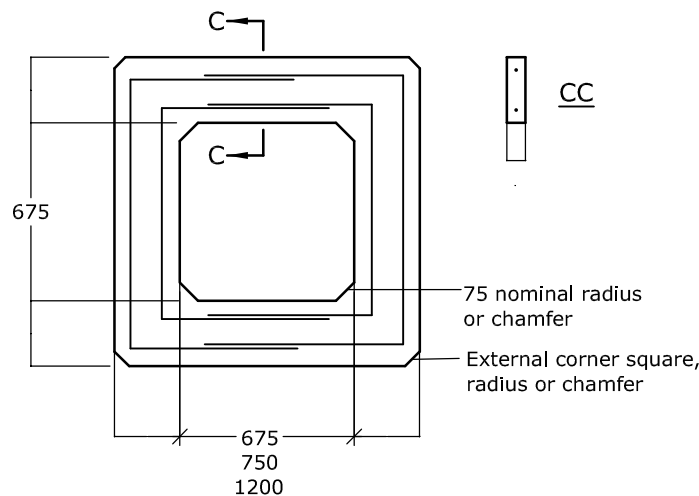
Seating slab to be bedded on manhole cover slab with designation (i) mortar.



SECTIONAL ELEVATION AA



SECTIONAL PLAN BB



SLAB REINFORCEMENT DETAIL