

NOTES

This manhole is for use where
 1. Depth to invert >3.0m, ≤6.0m, and
 2. Chamber height ≥2.0m.

All dimensions in millimetres.

75mm depth mix ST1 blinding concrete to be provided under base.

Manhole base to be cast insitu in mix ST4 concrete. Channels shall be a preformed half circle, or of 40mm thick granolithic concrete with sides of 40mm thick granolithic concrete. Benching shall be of mix ST4 concrete with 25mm thick granolithic concrete sloping to the channel at 1 in 12. All finishes shall be smooth, to Class U3.

Pipes to be built into walls flush with inside face, and with the provision of a single ring brick relieving or a concrete lintel where pipe dia. exceeds 225mm.

For all pipes except corrugated, the nearest joint shall form part of an articulated section and be not more than 500mm from the inner face of the wall.

Walls to be HD type Class B clay engineering brick to BS.EN.771-1:2003, 340mm thick.

For ladder details see Drg. No.5305.

The access position may be altered with the Project Manager's approval to suit the pipe layout within the manhole.

Manholes with an outlet pipe of 500mm dia. or greater shall have a handhold and stepped access to the invert. See Drg.5308

Manholes with an outlet pipe of 600mm dia. or greater shall have a handrail and safety chain. See Drgs 5306 & 5307.

Concrete in roof slab to be Class C32/40 with 20mm aggregate.

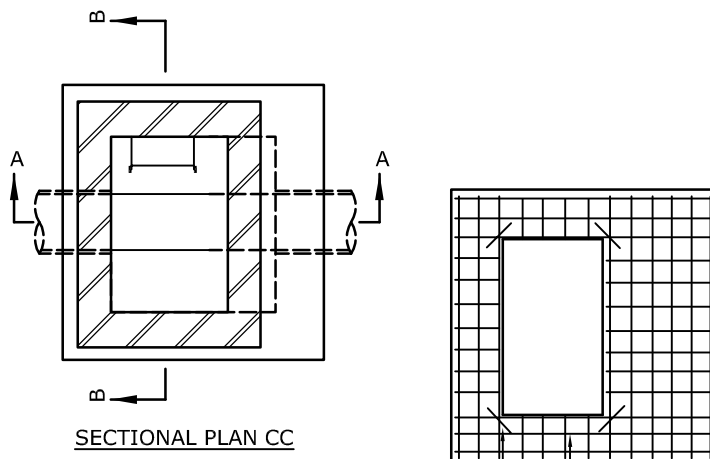
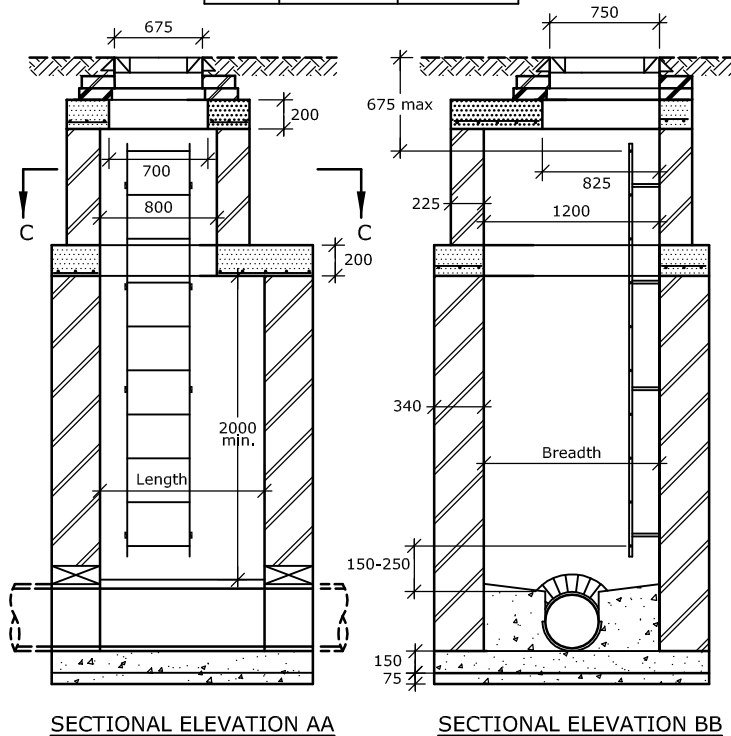
Minimum cover to roof slab reinforcement to be 40mm. End and side cover to be 40mm. Steel reinforcement to be high yield.

1 to 3 courses of HD type Class B clay engineering brick to BS.EN.771-1:2003 or concrete bricks to BS.EN.771-3 & 2:2003 to be provided to adjust final level of manhole cover.

Manhole cover to be as billed. In the carriageway cover and frame to be to BS.EN 124:1994 Class D400. In other locations cover and frame to be to BS.EN.124:1994 Class B125.

All mortar to be designation (i) except in the carriageway where the cover frame shall be bedded on epoxy resin mortar.

MH Type No.	Chamber length mm	Chamber breadth mm
2	1125	1200
3	1350	1350
4	1350	1750
5	1500	1750



4 No. 8mm dia. bars 250mm long
 16mm dia. H.Y. bars at 150mm cts. both ways

SLAB REINFORCEMENT DETAIL