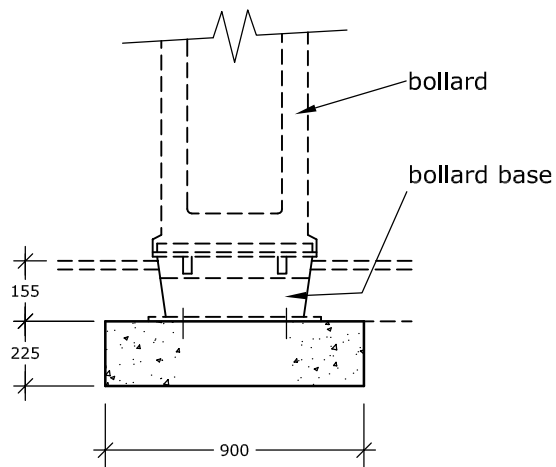


NOTES

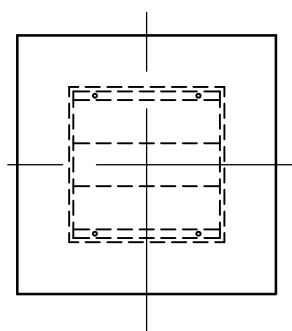
All dimensions in millimetres

Foundation to be mix ST4 concrete, with a smooth finish, to Class U3.

If bollard base is not contained within an area of mass concrete paving, the base shall be fixed to the foundation by 4 No. 10mm dia. ragbolts or expansion stud anchors.



FRONT ELEVATION



PLAN CC