

NOTES

All dimensions in millimetres

This chamber is for use where pipe dia. does not exceed 225mm.

2 no. $22\frac{1}{2}^\circ$ bends shall be used to connect the drop pipe with the main pipe.

The drop pipe and bends shall be surrounded with 150mm thick mix ST4 concrete.

For all pipes except corrugated, the nearest joint in the main pipe shall form part of an articulated section and be not more than 500mm from the bend.

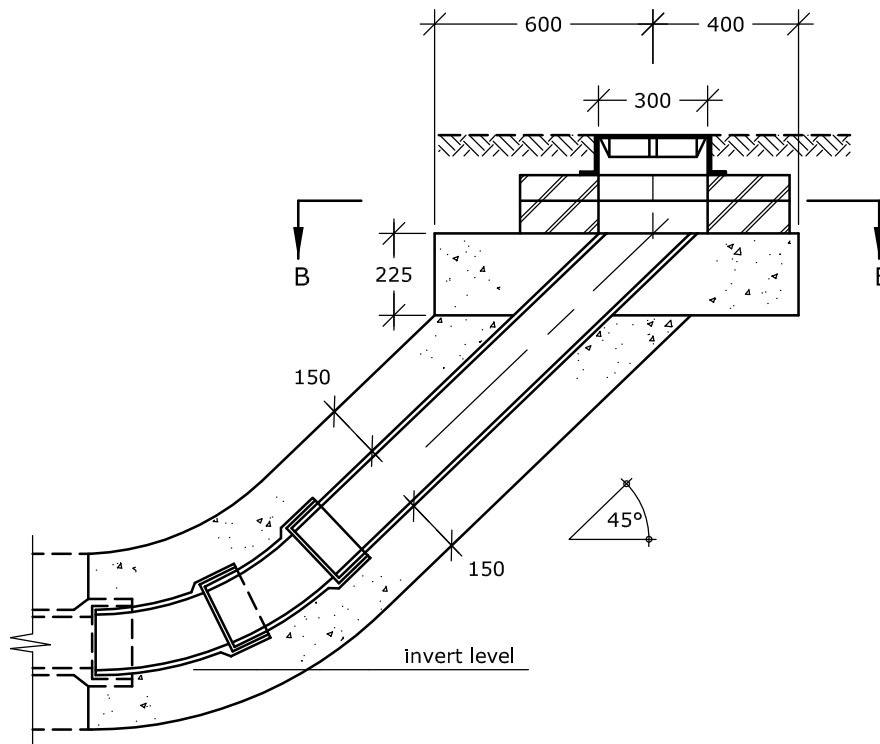
Chamber base to be cast insitu, in mix ST4 concrete. Finish shall be smooth, to Class U3.

The drop pipe shall be cast into chamber base.

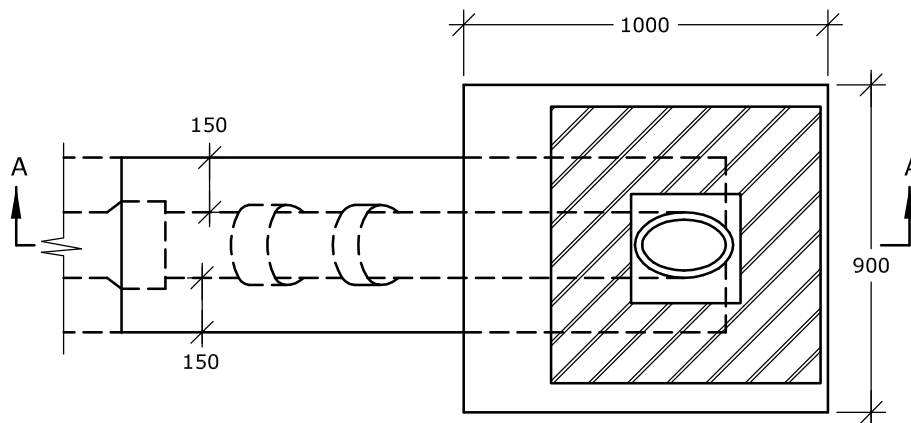
1 to 2 courses of HD type Class B clay engineering brick to BS.EN.771-1:2003, or concrete bricks to BS.EN.771-3 & 2:2003, 225mm width to be provided to adjust final level of rodding eye cover.

Rodding eye cover and frame complying with BS.EN.124:1994 to be Class D400, 300 x 300mm clear opening.

All mortar to be designation (i) except that the cover frame shall be bedded on epoxy resin mortar.



SECTIONAL ELEVATION AA



SECTIONAL PLAN BB