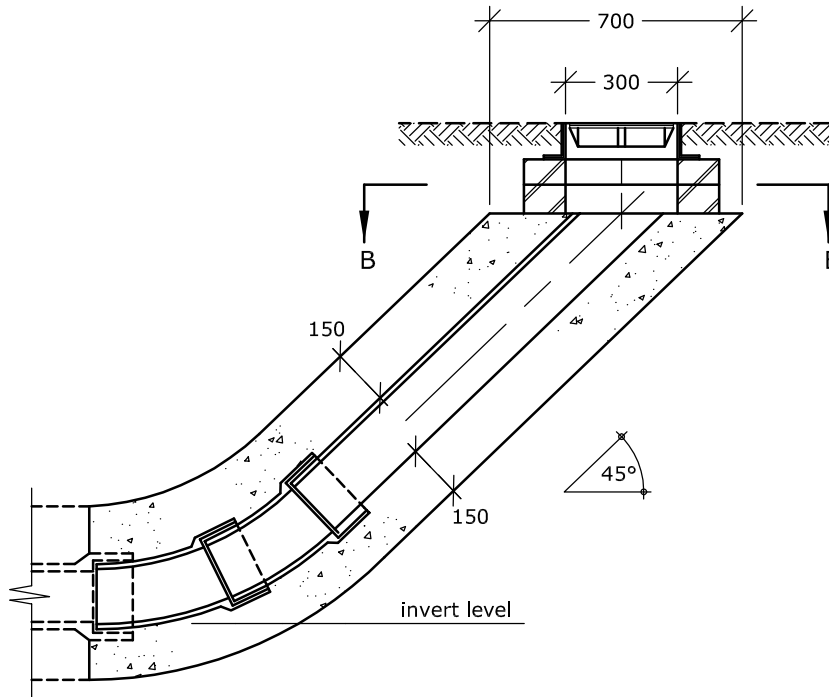
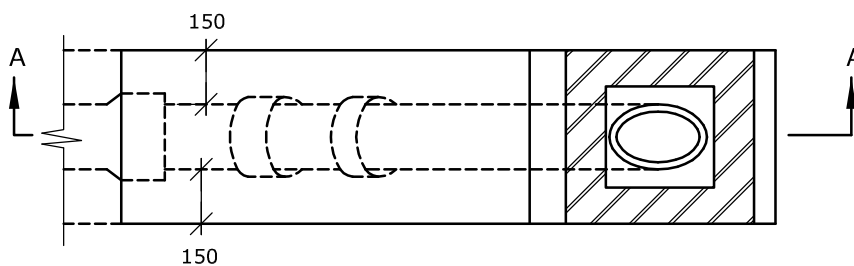


NOTES

- All dimensions in millimetres
- This chamber is for use where pipe dia. does not exceed 225mm.
- 2 no. 22½° bends shall be used to connect the drop pipe with the main pipe.
- The drop pipe and bends shall be surrounded with 150mm thick mix ST4 concrete.
- The upper surface of the concrete surround shall be smooth, to Class U3.
- For all pipes except corrugated, the nearest joint in the main pipe shall form part of an articulated section and be not more than 500mm from the bend.
- 1 to 2 courses of HD type Class B clay engineering brick to BS.EN.771-1:2003, or concrete bricks to BS.EN.771-3 & 2:2003, 103mm width to be provided to adjust final level of rodding eye cover.
- Rodding eye cover and frame complying with BS.EN.124:1994 to be Class B125, 300 x 300mm clear opening.
- An alternative design of rodding eye cover may be used with the Engineers approval.
- All mortar to be designation (i).
- This chamber is to be used only in footpaths verges and central reserves. It is not to be used in situations accessible to regular vehicular loadings.



SECTIONAL ELEVATION AA



SECTIONAL PLAN BB