

NOTES

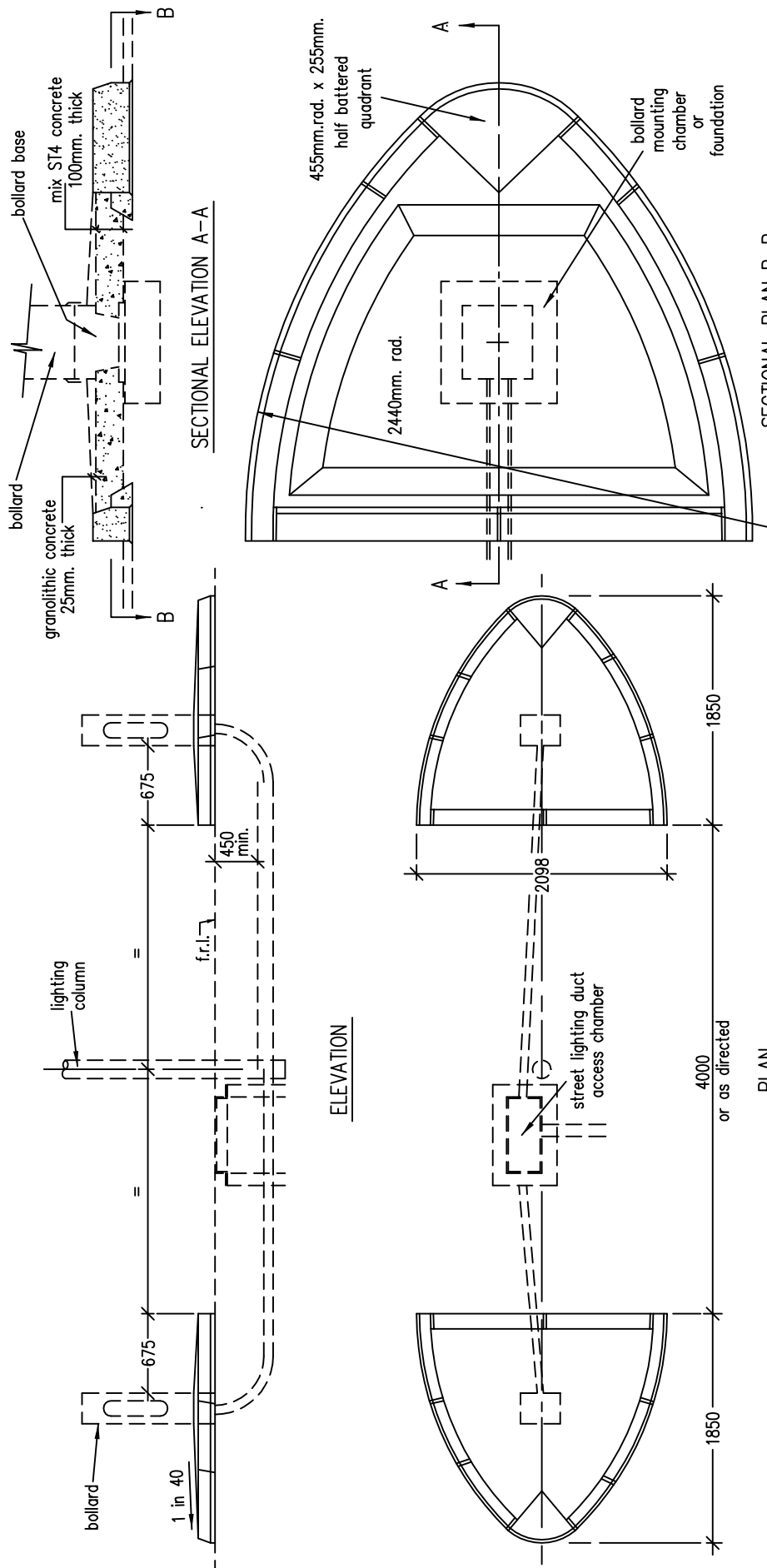
All dimensions in millimetres

Kerb details to comply with BS.EN.1340:2003

Granolithic concrete finishing to island to be trowelled smooth, and sloping to the kerbing at a slope of 1 in 40.

For details of bollard mounting see Drg. No. 5459.

Joining kerbs to be laid with a 6mm. gap and pointed with designation (i) mortar.



MIDLOTHIAN COUNCIL
Roads Services

PEDESTRIAN REFUGE ISLAND 2.098m WIDTH
P.C. ROAD KERB 125mm x 150mm HALF BATTER

DATE: Mar 2013

No. 11306