

NOTES

All dimensions in millimetres

Stone masonry shall comply with BS.5628-3:2001 except as otherwise stated below.

Height of wall as stated in the Bill of Quantities is dimension "H".

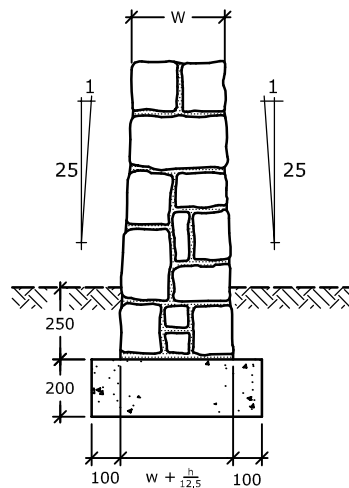
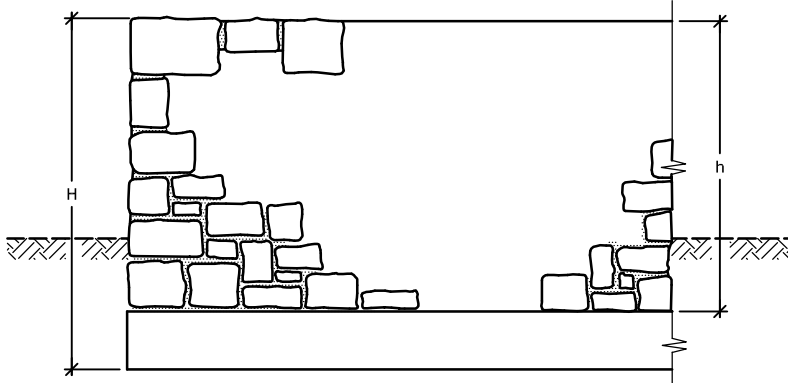
Width of wall as stated in the Bill of Quantities is dimension "w".

Depth from ground level to top of foundation shall be 250mm. unless otherwise stated.

Foundation to be Mix ST5 concrete.

Mortar designation (i) to be used.

Item coverage not to include for provision of cope.



MIDLOTHIAN COUNCIL
Roads Services

RANDOM RUBBLE UNCOURSED MASONRY WALL
WITH COPE EXCLUDED

DATE: Mar 2013

No. 24103